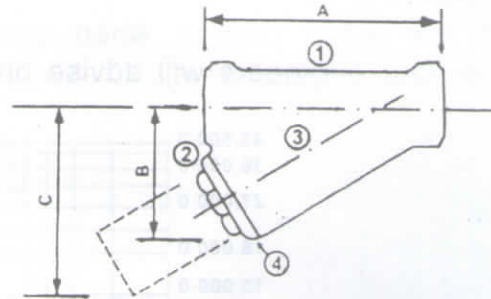
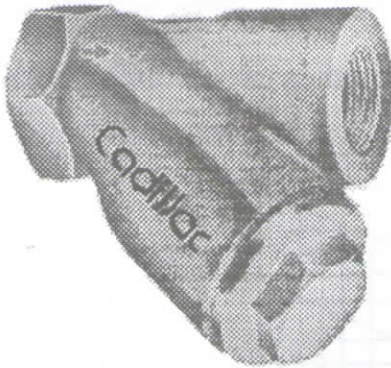


Y-TYPE STRAINERS

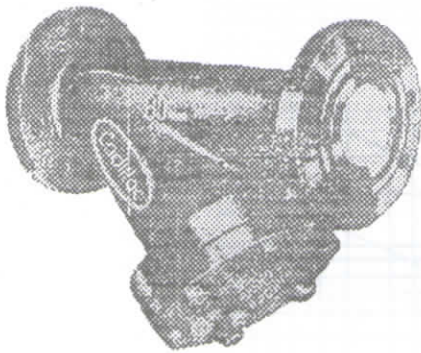
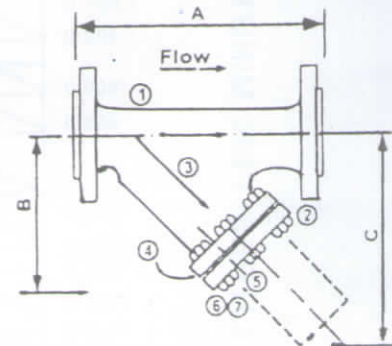
FOR IN LINE LIQUID FILTRATION SYSTEM



Part No.	Part Identity	Materials	Qty.
1.	Body	Gun Metal	1
		S. S.	
		Cast Steel	
		Forged Steel	
2.	Cap	Brass	1
		S. S.	
		Cast Steel	
		Forged Steel	
3.	Screen	S. S.	1
4.	Gasket	C.A.F.	1

Connection : (15NB to 150NB) Screwed B.S.P, API, or DIN
 Pressure/Temperature ratings : 8.92 Bar@179°C(Hot) to 100 Bar@37.8°C (Cold)

Standard Screen : 40 Mesh S.S. with 3mm perf support screen
 Connection standard can be changed as per customer request.



Part No.	Part Identity	Materials	Qty.
1.	Body	Cast Iron	1
		Gun Metal	
		S. S.	
2.	Cap	Brass	1.
		Cast Iron	
3.	Screen	S. S.	1.
4.	Gasket	C.A.F.	1.
5.	Plug	Steel	1.
6.	Bolts	Steel	
7.	Nuts	Steel	

Connection : ANSI 150, 300 R. F. Series or as required flanges standard & rating not listed will be quoted upon request.

Pressure/Temperature ratings : ANSI CL 150 10.34 Bar@260°C, 18.96 Bar@37.8°C The above are for guidance & other standards are as specified.

Standard Screen : 40 Mesh stainless with 3mm perf support Screen.



CADILLAC ENGINEERING WORKS

Manufacturer of Industrial & Automotive Filters

Office : 69B, SANTOSHPUR AVENUE, KOL-75

Works : KARBALA, KUMRAKHALI, P.O. - NARENDRAPUR, KOL-103

PHONE : 2416-2535/2536 ● Fax: 91 033 2416-2536

E-mail : sales@cadillacfilter.com, cadillacengg@rediffmail.com ● Website : www.cadillacfilter.com

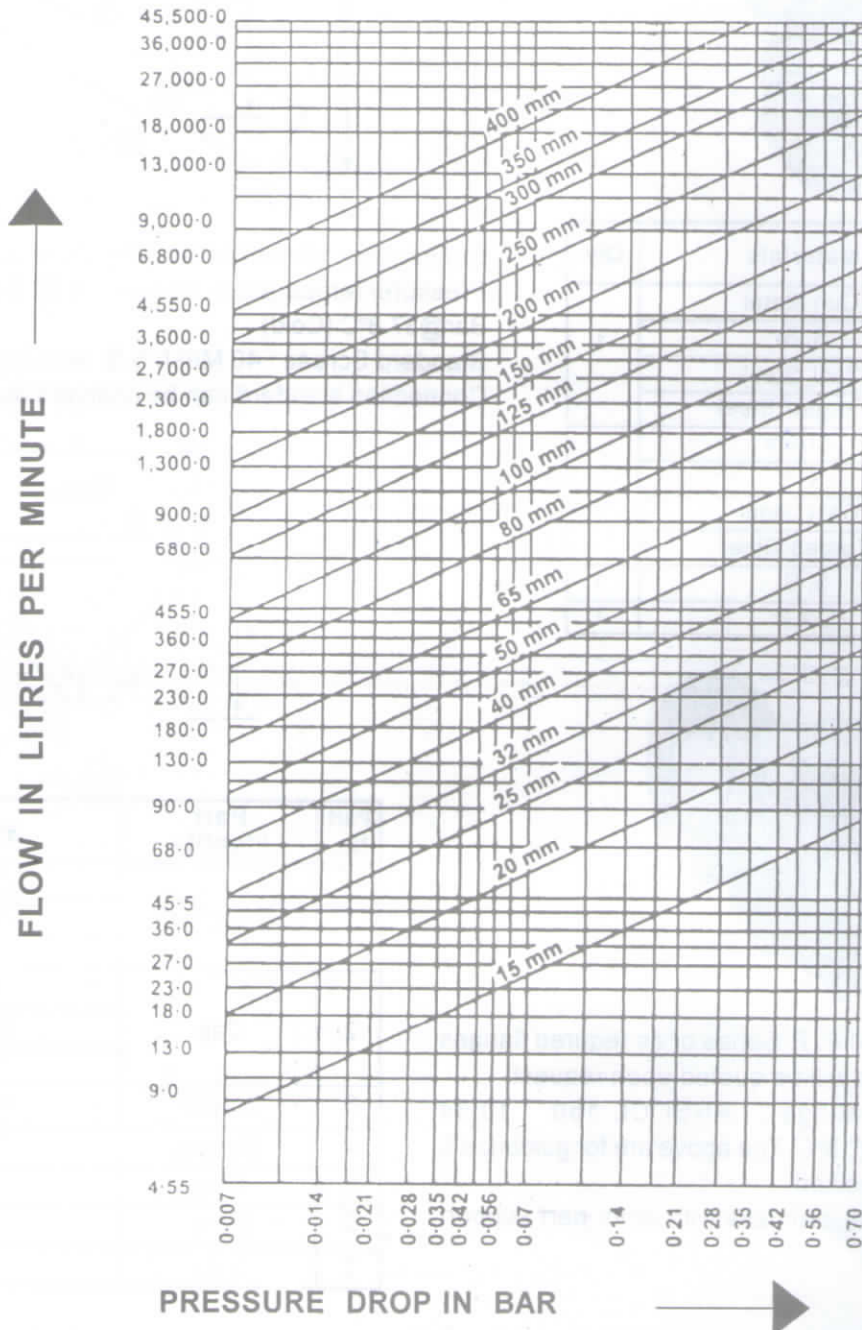


PRESSURE DROP CHART STANDARD SCREEN

Y-TYPE STRAINERS

Estimation of pressure loss in Y-Type strainers can be made from the chart which is based on water of specific gravity 1.0 and viscosity 32 secs RED No. 1. Screens are clean and are 40X40 woven wire mesh.

Liquids which are more viscous when used with finer weave meshes will create increased pressure drops. Our engineers will advise on applications.



For detail enquiry
please contact us :



CADILLAC ENGINEERING WORKS

Manufacturer of Industrial & Automotive Filters

Office : 69B, SANTOSHPUR AVENUE, KOL-75

Works : KARBALA, KUMRAKHALI, P.O. -NARENDRAPUR, KOL-103

PHONE : 2416-2535/2536 ● Fax: 91 033 2416-2536

E-mail : sales@cadillacfilter.com, cadillacengg@rediffmail.com ● Website : www.cadillacfilter.com

